

General

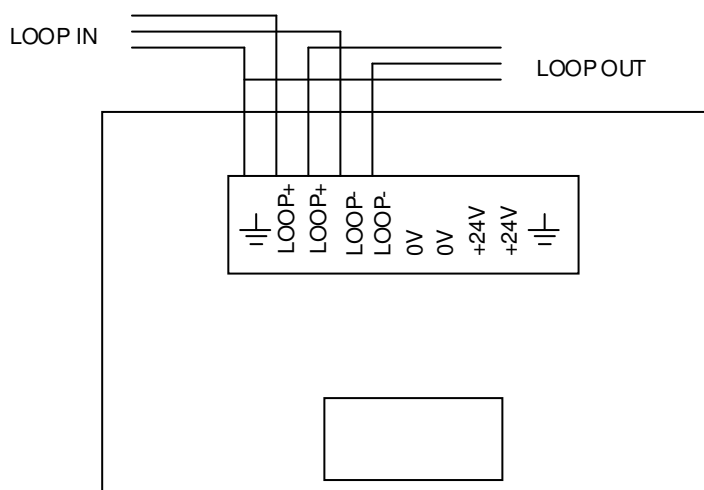
The 6000/LCD is a loop driven repeater, which repeats panel information on a local LCD display.

Installation

Without removing any circuit boards, carefully mark the fixing points of the enclosure on the mounting surface, remove the unit to a safe place and drill the mounting holes. Then securely fix the enclosure to the mounting surface.

Terminations

Loop terminations are made into the termination pcb, which is mounted in the rear of the enclosure. Terminals are provided for Loop In and Loop Out and these should be wired into separate terminals to allow the onboard isolator to function correctly. The 0V and 24V terminals should be disregarded and left unterminated, unless the unit explicitly states that a separate 24Vdc supply is required.



Setup

The LCD has an 8 way DIL switch used to setup various functions as follows:

1 ON for scroll function enabled (only applicable to LCDs with scroll button fitted). Scroll button must be held continuously to scroll events. When scroll is enabled, events are not automatically scrolled, but will revert to the last fire event after approximately 15 seconds.

2 ON to enable Dutch text.

3 ON for 6400 LCD (twin LCD display version).

4 ON to disable backlight.

5 Not Used.

6 Not Used.

7 ON to receive fires and pre-alarms only.

8 ON to disable internal buzzer.

Software version 23 and later

1 ON for scroll function enabled (only applicable to LCDs with scroll button fitted). Scroll button must be held continuously to scroll events. When scroll is enabled, events are not automatically scrolled, but will revert to the last fire event after approximately 15 seconds.

2 Language L0.

3 ON for 6400 LCD (twin LCD display version).

4 ON to disable backlight.

5 Language L1.

6 Language L2.

7 ON to receive fires and pre-alarms only.

8 ON to disable internal buzzer.

The language switches, L2, L1 and L0 are used to specify the current language as specified in the table below.

L2	L1	L0	Language
0	0	0	English
0	0	1	Dutch
0	1	0	Swedish
0	1	1	Finnish
1	0	0	Hungarian*
1	0	1	Spanish*
1	1	0	German*
1	1	1	French

* denotes not yet available – will default to English.